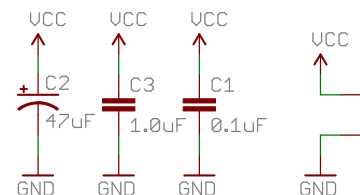
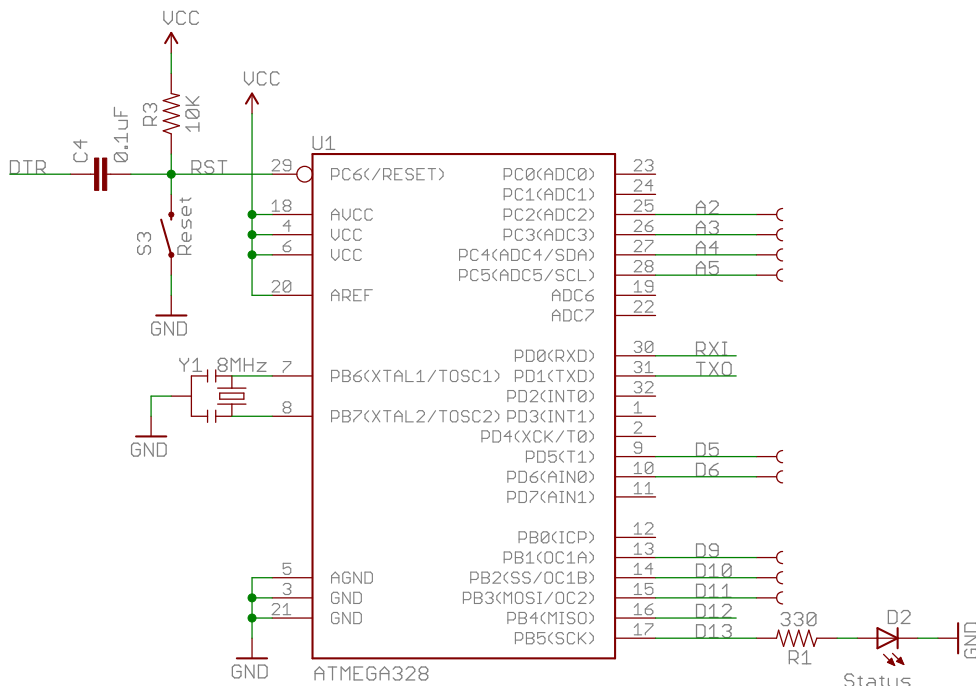


PP-MISO > D12  
 PP-SCK > D13  
 PP-RST > RST



## LilyPad - MainBoard Simple

Released under the Creative Commons Attribution Share-Alike 3.0 License  
<http://creativecommons.org/licenses/by-sa/3.0>

Designed by:  
 L. Buechley  
 N. Seidle

TITLE: LilyPad-Simple-v25

LilyPad

Document Number:  
 Spark Fun Electronics

REV:

Date: 12/29/2010 9:53:36 AM

Sheet: 1/1